

# TEAR SHEET



## Barrett Knurled Buffet Lamp

Item # RL 3393NB-NB

Designer: Ralph Lauren

Height: 33"

Width: 11.5"

Base: 7" Round

Finishes: NB, PN

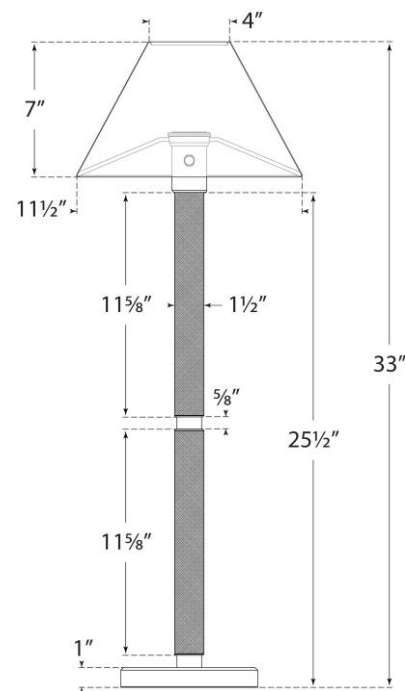
Shade Treatments: NB, PN

Shade Details: 4" x 11.5" x 7"

Socket: E26 Dimmer

Wattage: 60 A19

Weight: 9 Pounds



# RALPH LAUREN

